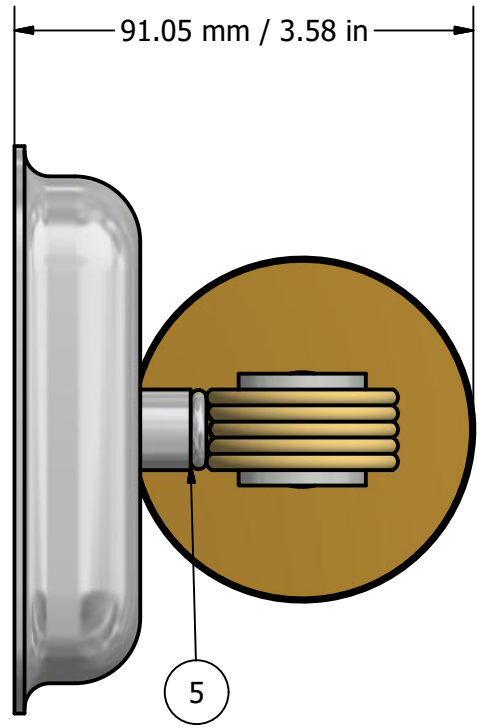
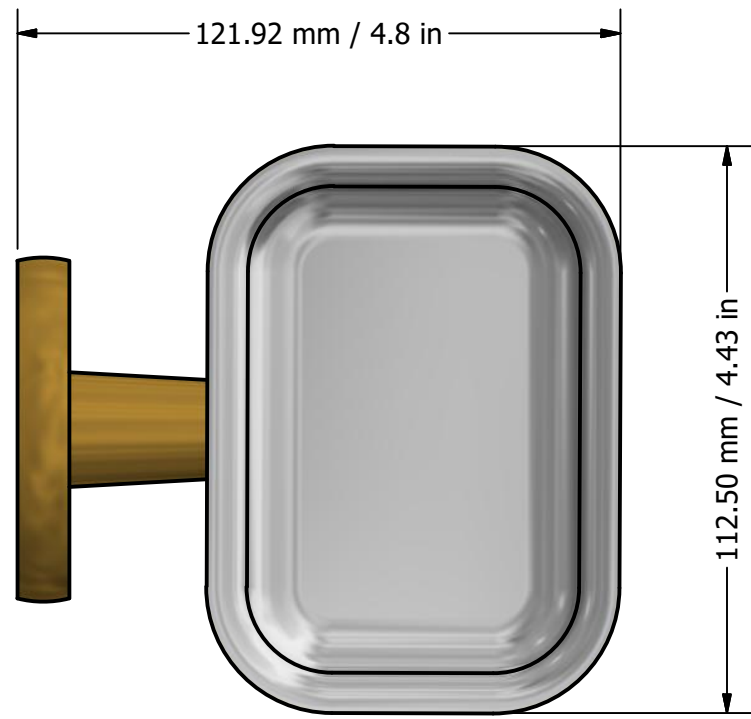
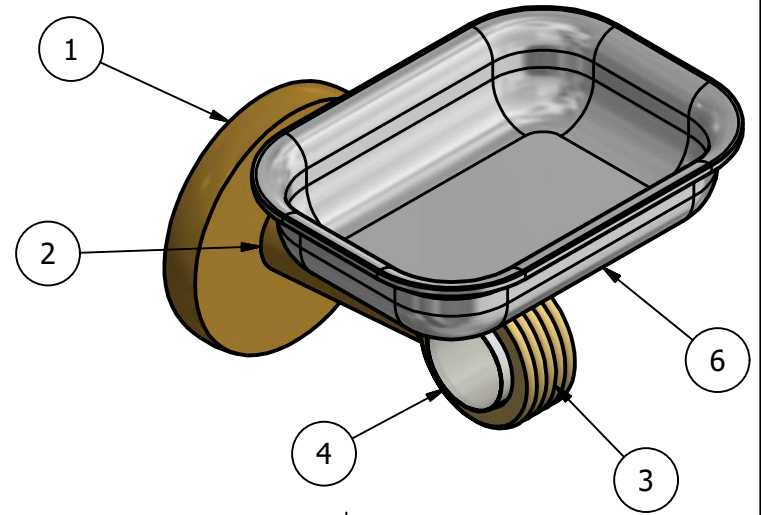




PARTS LIST			
ITEM	QTY	PART NUMBER	DESCRIPTION
1	1	BPRD	BACKPLATE
2	1	CL-TB	NECK
3	1	RGGVD-1	RING WITH NEW SIZE HOLE
4	1	AC-HHUB	ACRYLIC HUB
5	1	CRRD-12	CHECK RING
6	1	HRRTS	SOAP DISH HOLDER



UNLESS OTHERWISE SPECIFIED	
.X	± .3mm
.XX	± .15mm
.XXX	± .008mm

UNIT IS IN MM.

APPROVED FOR PRODUCTION
 By: RICHARD PAUL
 Date: 10-17-18

DRAWN	10-17-18	IM	MATERIAL:	BRASS		FINISH	TBD
CHECKED	10-17-18	P.D.	DESCRIPTION:	Clearview Collection Wall Mounted Soap Dish Holder w/ Groovy Accent		QTY	TBD
APPROVED	10-17-18	R.A.			DRAWING NO.		REV
 THIRD ANGLE PROJECTION					CV-32G		0
			SCALE		1.5:1	SHEET: 1 OF 1	A4